

# ALFRED TEVES BRAKE SYSTEMS (PTY) LTD

## TECHNICAL BULLETIN

28 February 2022

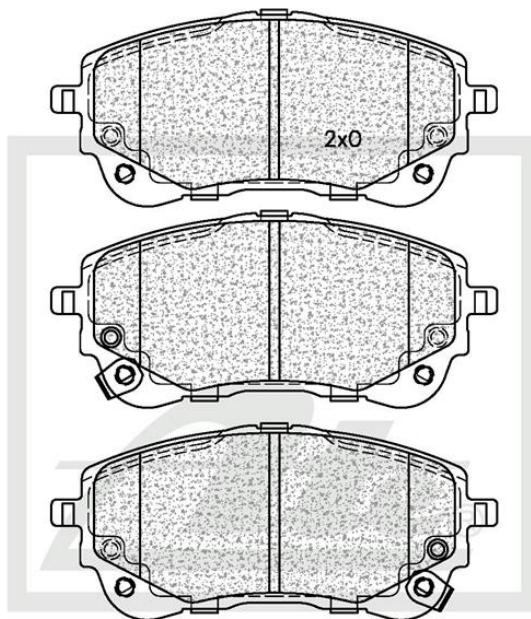


(ATE and Teves are registered trademarks of Continental Teves AG & Co oHG and/or its affiliates in Frankfurt Germany and other Countries)

# ATE1421

## NEW PART NUMBER

### Drawing



SUPPLIED WITH 2 X WEAR INDICATOR PADS PER SET  
NOTE : L + R HANDED

← 134.3 →      59      ← 17 →

### Details of New Part

Brake Pad – Front

### Product Dimensions

Length – 134.3mm

Height – 59mm

Thickness – 17mm

### Package Dimensions

Weight – 1692.4g

L – 185.6mm

W – 99.9mm

H – 65mm

### Barcode



ATE1421

### Vehicle Applications

TOYOTA COROLLA XII Hatchback (\_E21\_) 1.2 2019-;  
TOYOTACOROLLA XII Saloon (\_E21\_) 1.6 VVTi 2019-;  
TOYOTACOROLLA XII Saloon (\_E21\_) 1.8 VVTi 2019-.

Front

### Position

Rear



**CALL NOW TO ORDER YOUR STOCK!!!**

(011) 898 1800

Picture(s) of the vehicle(s) that this part is suitable for



www.ate.co.za

"Single Minded about YOUR Safety"